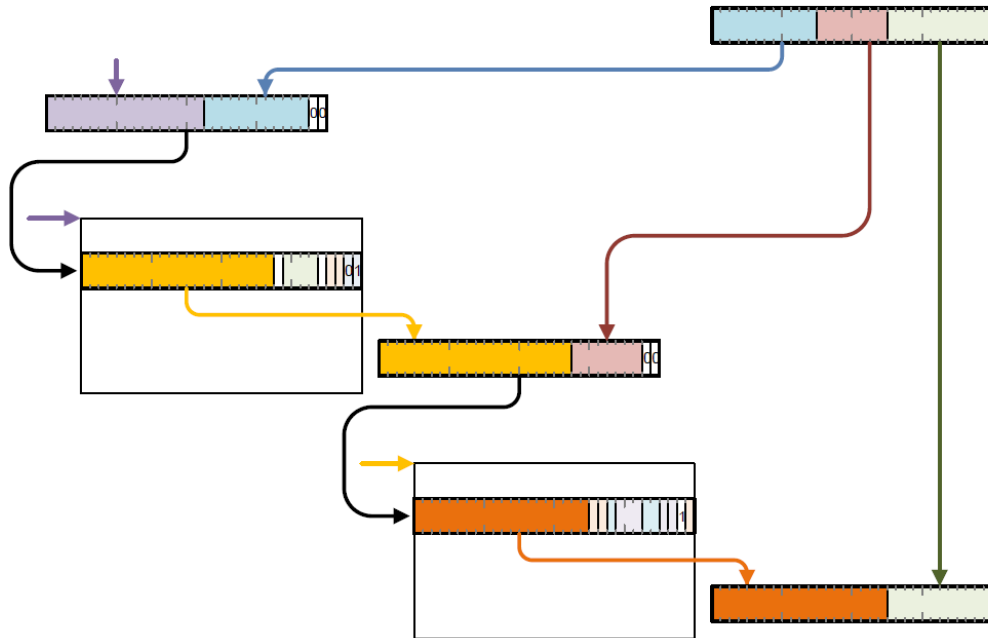
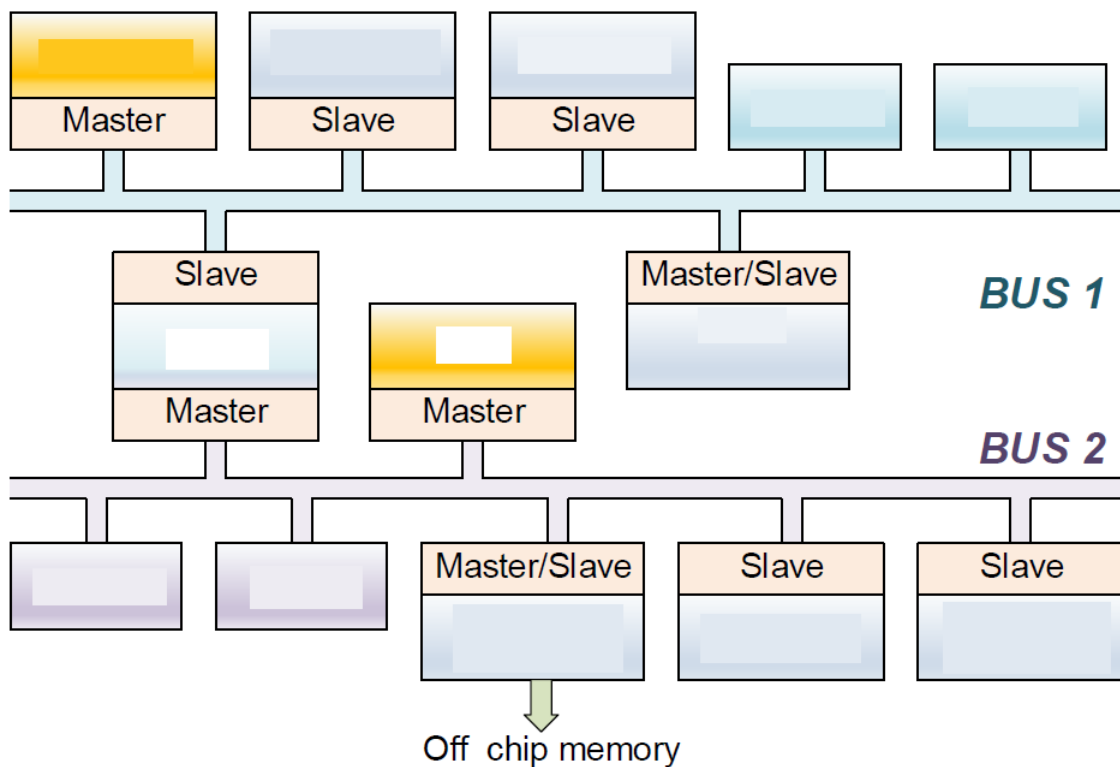


1. ARM Architecture: Exceptions. Name all of them (if you can) and when called.
2. Resets – synchronous and asynchronous. Name the advantages and disadvantages of them.
3. MMU and MPU name the difference and functionality.
4. MMU functionality. Explain the diagram of linking the virtual to physical addresses:



5. Fill in the missing gaps. What could be slave and what could be Master? What could be neither nor?



6. Draw a DRAM Cell. Which advantages it has compared to the SRAM? Which disadvantages? How would you read a value from the DRAM?